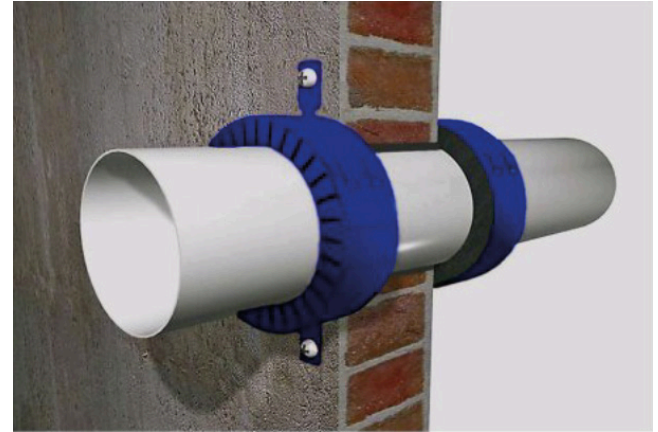


TECHNOLOGICAL REGULATION 001/1
INVAMAT 900
Fireproof cuff (sleeve)





INVAMAT 900 FIREPROOF CUFF FIREPROOF SOLUTION FOR PLASTIC PIPES

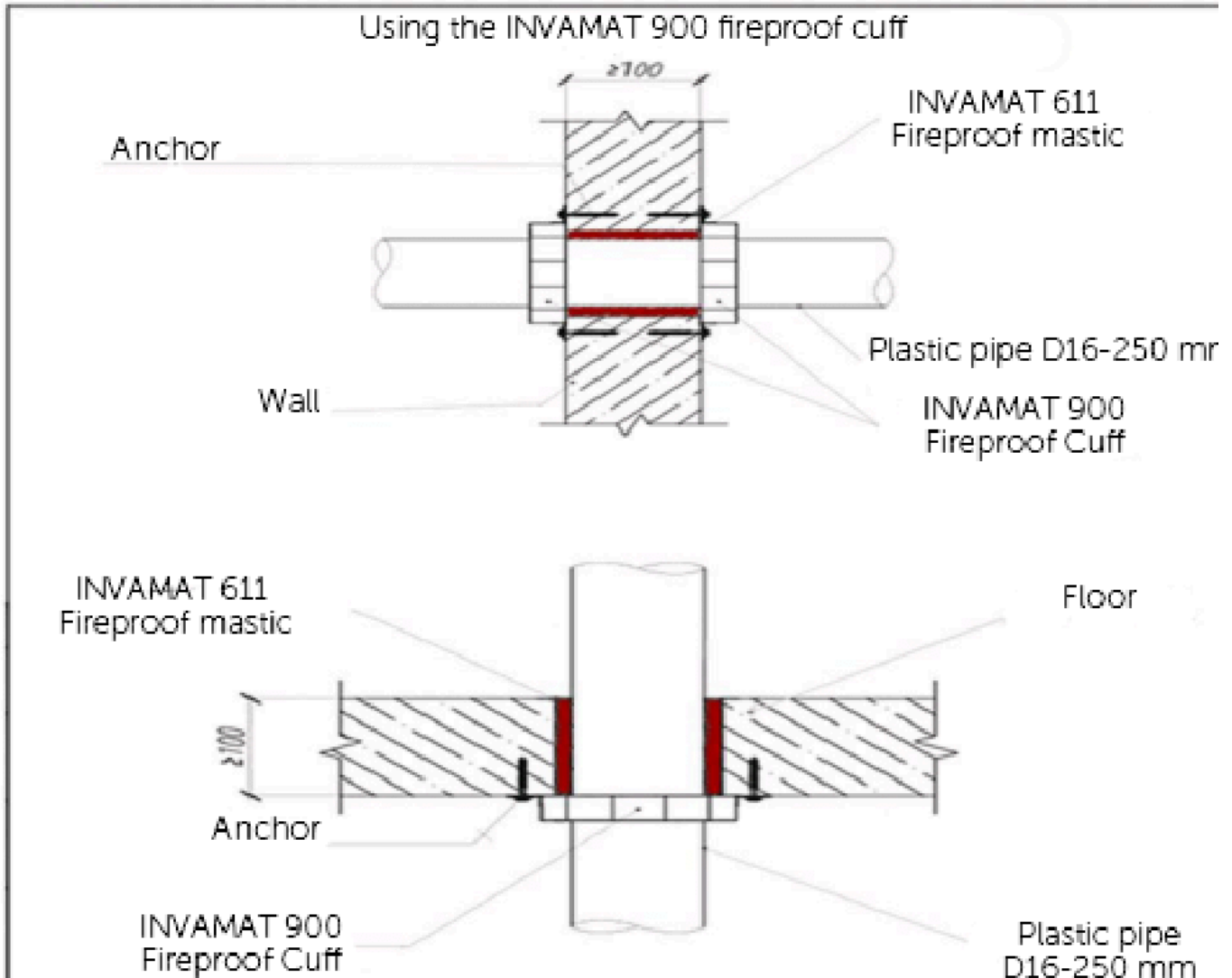


Specifications	
Minimum wall / floor thickness	100/150 mm
Storage and transport temperature	-5 C - 50 C
Fire resistance limit (E1)	180 minutes
Operation temperature	140 °C
Pipe diameters (mm)	16-250

Clean the area of penetration from dirt and debris. Clean the plastic pipes before fitting the cuff. Close the remaining opening. Circular gaps (the space between the pipe and the wall /floor) more than 1 mm must be filled with INVAMAT 611 mastic to the entire depth of penetration. Fill the gaps with a spatula or dosing gun. There is no need to fill gaps of less than 1 mm. Put on the sleeve (cuff) on the pipe, push it against the wall / floor to the stop and snap the lock. Make sure the lock is closed. Cuffs with a diameter of more than 50 mm are subject to mandatory fastening to the wall/floor using an anchor/dowel. After the installation, mount the information plate.



INVAMAT 900 FIREPROOF CUFF FIREPROOF SOLUTION FOR PLASTIC PIPES



Correspondence table of diameters of pipes, cuffs and penetrations

Outer pipe diameter (mm)	Type of cuff (sleeve)	Minimum required penetration diameter (mm)
16	INVAMAT 900-16	18
20	INVAMAT 900-20	22
25	INVAMAT 900-25	27
32	INVAMAT 900-32	34
40	INVAMAT 900-40	42
50	INVAMAT 900-50	52-54
65	INVAMAT 900-65	90-95
80	INVAMAT 900-80	120-125
90	INVAMAT 900-90	130-135
110	INVAMAT 900-110	150-155
125	INVAMAT 900-125	170-175
160	INVAMAT 900-160	220-225
200	INVAMAT 900-200	260-265

Important: if pipe diameter is more than 50 mm, the space between the pipe and the wall / floor must be filled with INVAMAT 611 mastic to the ENTIRE depth of penetration.



Services

We help you with projects by providing:

- fast engineering solutions
- necessary technical literature
- product training and demonstration
- compliance with project requirements
- professional consultation of specialists

Safety Instructions



Xn - harmful for health

R 20 Harmful by inhalation.

R36/37/38 Irritating to eyes, respiratory system and skin.

R 42/43 Possible allergic effects through inhalation and skin contact.

S 2 Keep out of reach of children.

S 23 Do not inhale vapor.

S 51 Use only in well-ventilated areas.

S 24/25 Avoid skin and eyes contact.

S 26 In case of contact with eyes, rinse immediately with plenty of water and seek medical advice.

S 28 In case of foam contact with skin, wash it off immediately with soap and water.

S 36/37/39 Wear protective clothing, safety gloves and safety glasses/face shield during work.

S 45 In case of accident or if feeling unwell, seek medical advice immediately (show the label if possible).

INVAMAT is not liable for damage caused by the following circumstances:

- violation of the prescribed storage and transportation conditions;
- failure to comply with the instructions for use and installation data;
- wrong use;
- other factors not known to INVAMAT or being not part of the responsibility.

INVAMAT - Professional Solutions of any Complexity

8 (499) 553-0143 | invamat.ru